

# Arthroscopy Irrigation Sets

## DESCRIPTION

m|devices Arthroscopy Irrigation Sets are available with either a stepped connector and silicone tubing adaptor or with a Male Luer Lock (MLL) connector. They have a double spike Y-Site configuration with a manual hand pump. Both versions are medical grade PVC.

## FEATURES & BENEFITS

- Soft material
- Double spike configuration
- Manual hand pump
- Available with different end connectors
- 3 Click clamps

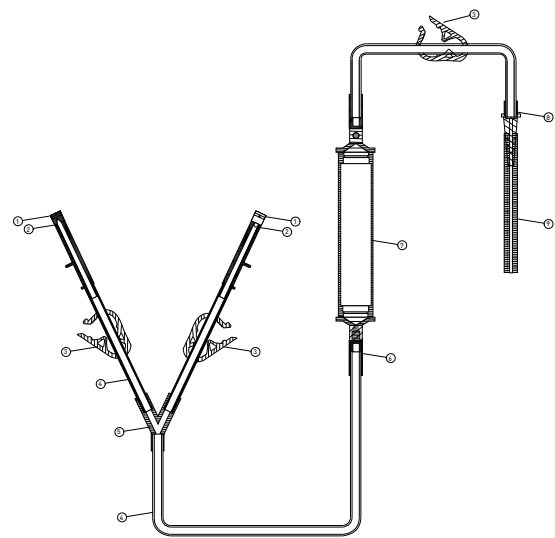
## PRODUCT DATA

- Tubing length: 220cm
- Tubing inner diameter: 4.8mm
- Tubing outer diameter: 6.8mm
- Priming volume: UR010000 90.0mL
- Priming volume: UR010002 74.0mL
- Flow rate (80cm): 22L/hr
- Material: PVC
- DEHP YES = Product contains Phthalates such as the PVC Plasticizer Di-(2-ethylhexyl)-phthalate (DEHP).
- ARTG Number: 314960
- Shelf life: 5 Years

## STANDARDS

- EN ISO 10993-5:2009 Biological evaluation of medical devices - Tests for in vitro cytotoxicity.
- EN ISO 10993-7:2008 Biological evaluation of medical devices - Ethylene oxide sterilisation residuals
- EN ISO 14971:2012 Application of Risk Management.

## PRODUCT DIAGRAM



ITEM	DESCRIPTION	5	Y Connector
1	Cover	6	Tube Connector
2	Spike	7	Pump
3	Click Clamp	8	Stepped Connector
4	Tube	9	Silicone Tube

## Arthroscopy Irrigation Set

RE-ORDER	DESCRIPTION	TOTAL LENGTH	CARTON/QTY
IR010000	Arthroscopy Irrigation Set	265cm	30
IR010000NS	Arthroscopy Irrigation Set	265cm	30
IR010002	Arthroscopy Irrigation Set with MLL	260cm	30